

Tenda



IT7-PCS

4MP PoE Full-Color Bullet Security Camera



IT7-PCS

4MP PoE Full-Color Bullet Security Camera

Product Description

4MP Bullet Security Camera IT7-PCS is a high-performance 4MP (2560x1440) engineering camera that integrates such functions as full-color night vision, human detection, motion detection alarm, remote audio pickup and PoE power supply.

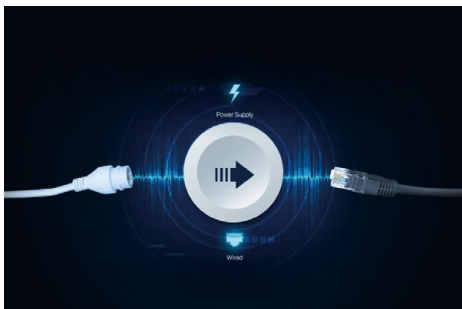
It is commonly used in such indoor and outdoor monitoring scenarios as parking lots, shops, supermarkets, and jewelry stores. The camera can be used with NVR, and also supports smartphone app remote control.

Product Features



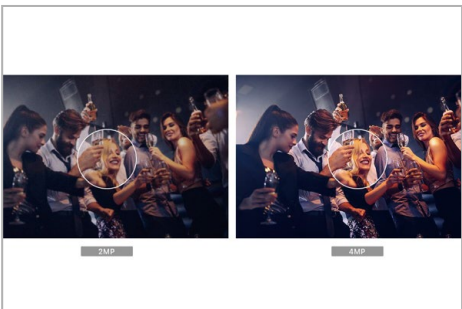
Critical image stored in full color with smart night vision function

The camera provides the human/motion detection function. When the image changes, the full-color night vision mode will be enabled automatically. The three modes of infrared, full-color and smart full-color can be switched freely to meet various night monitoring requirements. PoE relay. This greatly simplifies the networking.



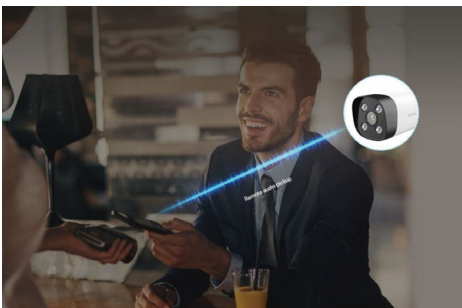
Installation simplified with a standard PoE power-supply

The network power supply of the camera can be realized with only one Ethernet cable that improving the efficiency of project installation. The standard PoE protocol has strong compatibility and is safer to use.



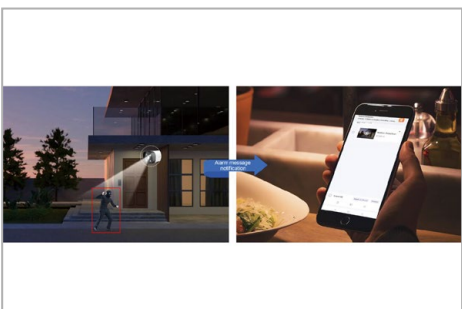
4 MP HD image with more details even when zoomed

Equipped with 4MP high-performance CMOS image sensor, the camera provides a resolution up to 2560 x 1440. It adopts the 3D digital noise reduction technology to filter the noise of the image, the smart WDR technology to adjust the brightness, and the smart anti-overexposure technology to suppress the strong light.



Audio and video synched with remote audio pickup

With an inbuilt highly sensitive microphone that supports remote audio pickup, the camera can sync audio and video to truly restore the scene.



Precise human detection, white light used to deter intruders

App remote control is supported. When the device detects abnormal conditions, the alarm notification will be pushed to the TDSEE app, and white light is used to deter intruders.

Product Features



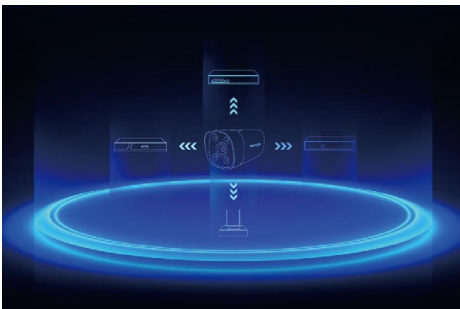
Storage and bandwidth halved with H.265+ coding technology

Compared with H.265, the new-generation H.265+ coding technology saves 50% storage space, which further smoothes the videos and saves the data storage space.



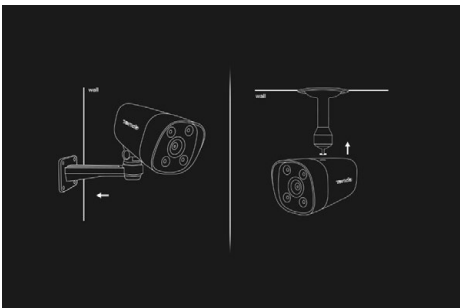
IP67 waterproof and dustproof

As the operating temperature is -30°C to 60°C, the camera can effectively resist the high and low temperature. With IP67 waterproof and dustproof design, the camera can withstand rainy, sunny, stormy, and even snowy weather.



High compatibility with ONVIF supported

It can be used with mainstream NVRs in the market, featuring high compatibility.



Wall-mounting/Ceiling-mounting

Product Specifications

Hardware Specifications	
Ports	Power: DC 12V 1A Ethernet: 1*RJ45 100M Ethernet port on tail line
Lens	4mm@F2.2/6mm@F2.0
Product Size	85×85×166mm
Video Specifications	
Resolution	2560*1440
Coding standard	H.265+/H.265/H.264
Day and Night Shift Mode	Built-in IR-CUT double filter
Noise Reduction	3D digital noise reduction
DWDR	Support
Backlight Compensation	Support
ROI	Support
Others	
Smart Alarm	Motion detection&Human detection&Customized area detection
Waterproof Level	IP67
Audio	Built-in microphone
Network Protocol	RTSP, HTTP, DHCP, DDNS, ONVIF
Internet Protocol	IPV4
Device Connection Mode	Wired
Infrared Night Vision Distance	30 Meters
Temperature	Operating temperature: -30°C to 60°C Storage temperature: -40°C to 70°C
Humidity	Operating humidity: 10%-95%RH (non-condensing) Storage humidity: 3%-95%RH (non-condensing)
Certification	CE、RoHs、FCC
Package Contents	Security camera, Waterproof kit, Quick installation guide,General Public license notice

SHENZHEN TENDA TECHNOLOGY CO.,LTD.

Tenda Technology Bldg.Int'l E-City,
#1001 Zhong Shan Yuan Rd.,Nanshan District,Shenzhen China.

E-mail:support@tenda.com.cn

Tel:+86-755-2765 7098

Fax:+86-755-2765 7178

PC:518055

